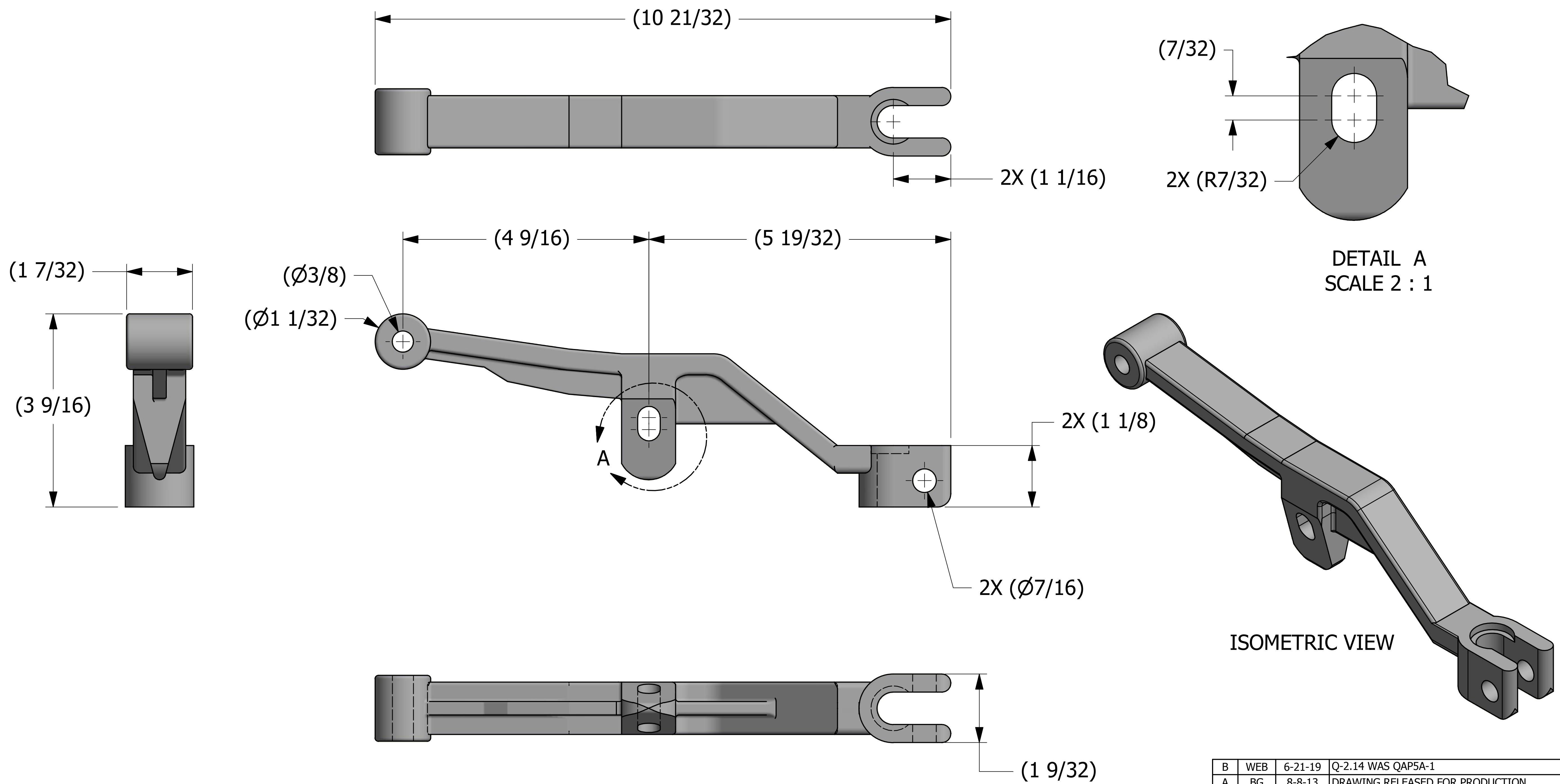


SALES DRAWING SALES DRAWING

SALES DRAWING SALES DRAWING



B	WEB	6-21-19	Q-2.14 WAS QAP5A-1
A	BG	8-8-13	DRAWING RELEASED FOR PRODUCTION
REV	BY	DATE	DESCRIPTION
SALCO PRODUCTS, INC.			
PART NAME: LOCKING ARM			
MATERIAL: ALUMINUM			
PROJECT #: 080514		SHEET #: 1 OF 1	SCALE: 1:1
DRAWING #: D25769		PART #: LAEN20	

UNLESS OTHERWISE SPECIFIED DIMENSIONAL TOLERANCES FRACTIONAL: $\pm 1/16$ X.XX: $\pm .03$ X.XXX: $\pm .015$ ANGULAR: $\pm 1^\circ$ DEBURR ALL SHARP EDGES. ALL MACHINED SURFACES TO HAVE A 125 RMS FINISH UNLESS NOTED OTHERWISE. THIRD ANGLE PROJECTION	DRAWN BY:	BRG
	CHECKED BY:	CHL
	PROTOTYPE BY:	BRG
	PROTOTYPE DATE:	8/7/2008
	APPROVED FOR PRODUCTION BY:	BG
	PRODUCTION DATE:	8/8/2013

THIS PRINT, PROPERTY OF SALCO PRODUCTS INC. CONTAINS PROPRIETARY INFORMATION AND MUST NOT BE COPIED, REPRODUCED, OR USED DETRIMENTALLY TO OUR INTEREST.